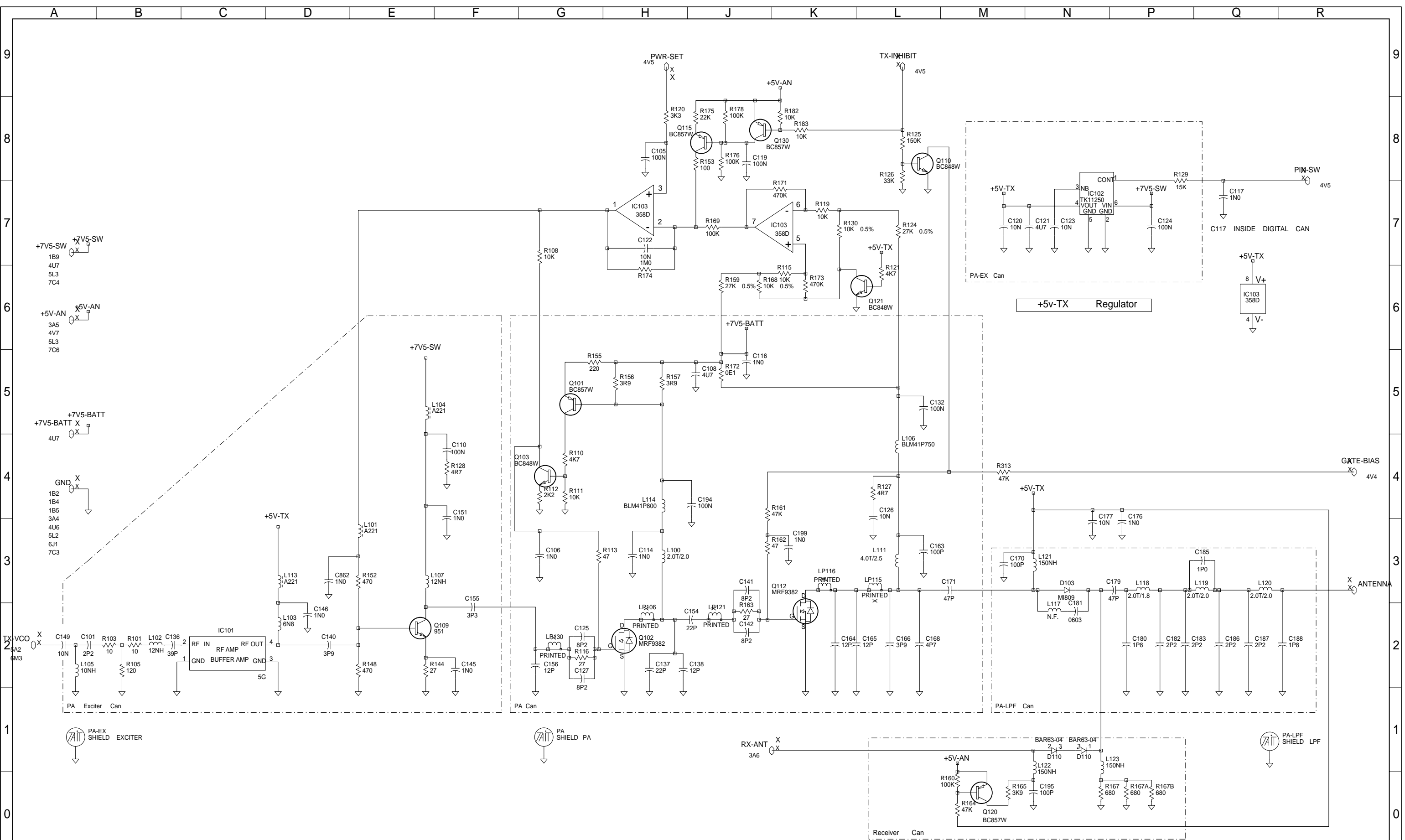


22WAY SIDE ENTRY FLEXI BRD SKT
 12 WAY SKT

08	X		X	X	X	X	X
02A	RXMOD		CJK				28/04/99
01B	UPDATED SYNTH PA RX,1ST PROTO		BRD				
REV/ISS	AMENDMENTS		DRAWN	CHKD	D.O.	APVD	DATE

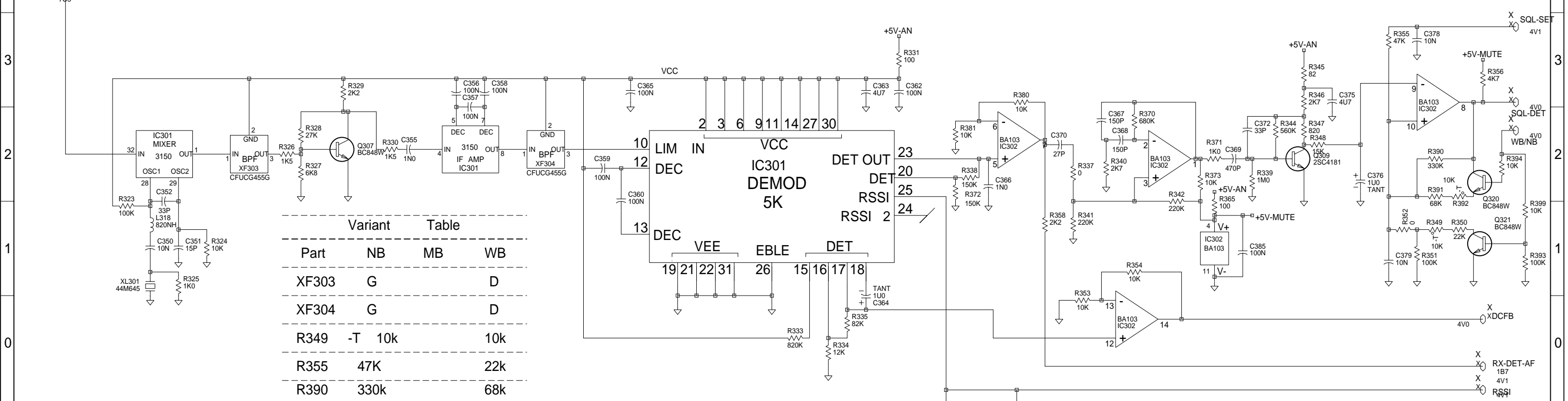
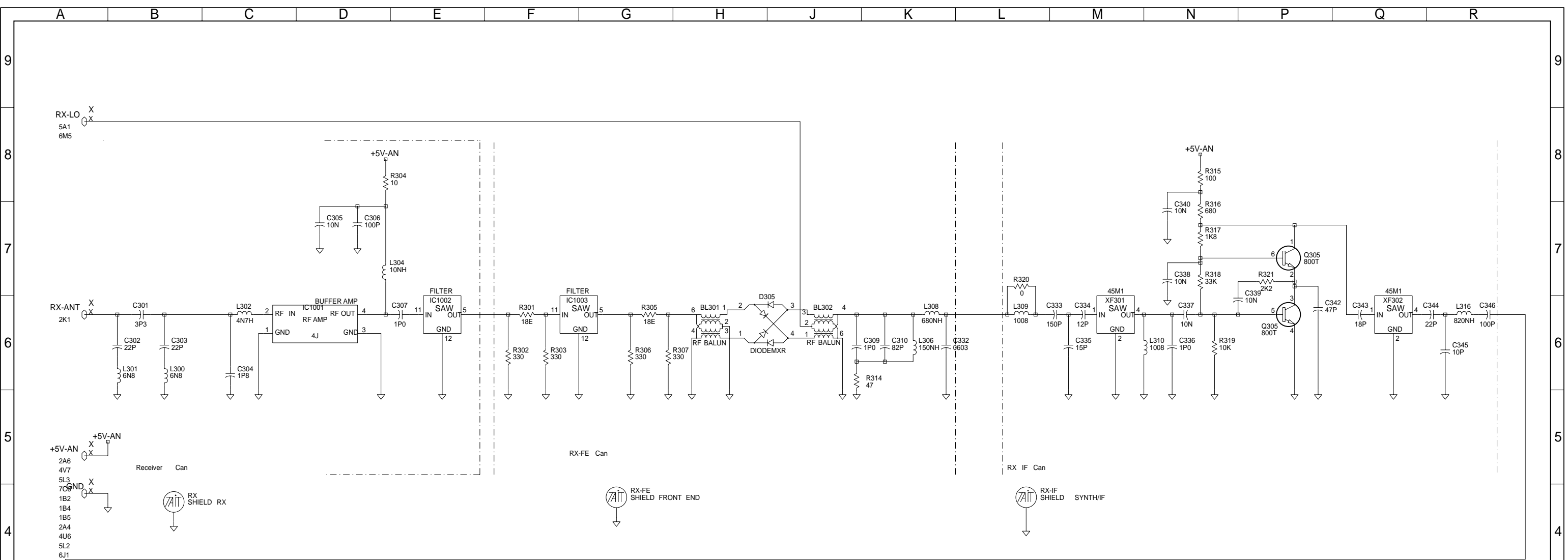
© TAIT ELECTRONICS
 ORCA :TOP- 800MHZ
 SYSTEM DIAGRAM
 IPN: B ID: 2.SC. 1
 PROJECT: 220-01416-02 DESIGNER: CJK FILE NAME: 141602B FILE DATE: 12/05/99 NO.SHEETS: 7



L121 L122 L123 150n 1008

© TAIT ELECTRONICS	
ORCA :TOP-POWER AMPLIFIER	800MHZ
IPN: 220-01416-02	ISSUE: B 2.SC. 2
PROJECT: ORCA	DESIGNER: CJK
FILE NAME: 141602B	FILE DATE: 12/05/99
	NO.SHEETS: 7

REV/ISS	AMENDMENTS	DRAWN	CHKD	D.O.	APVD	DATE
A						

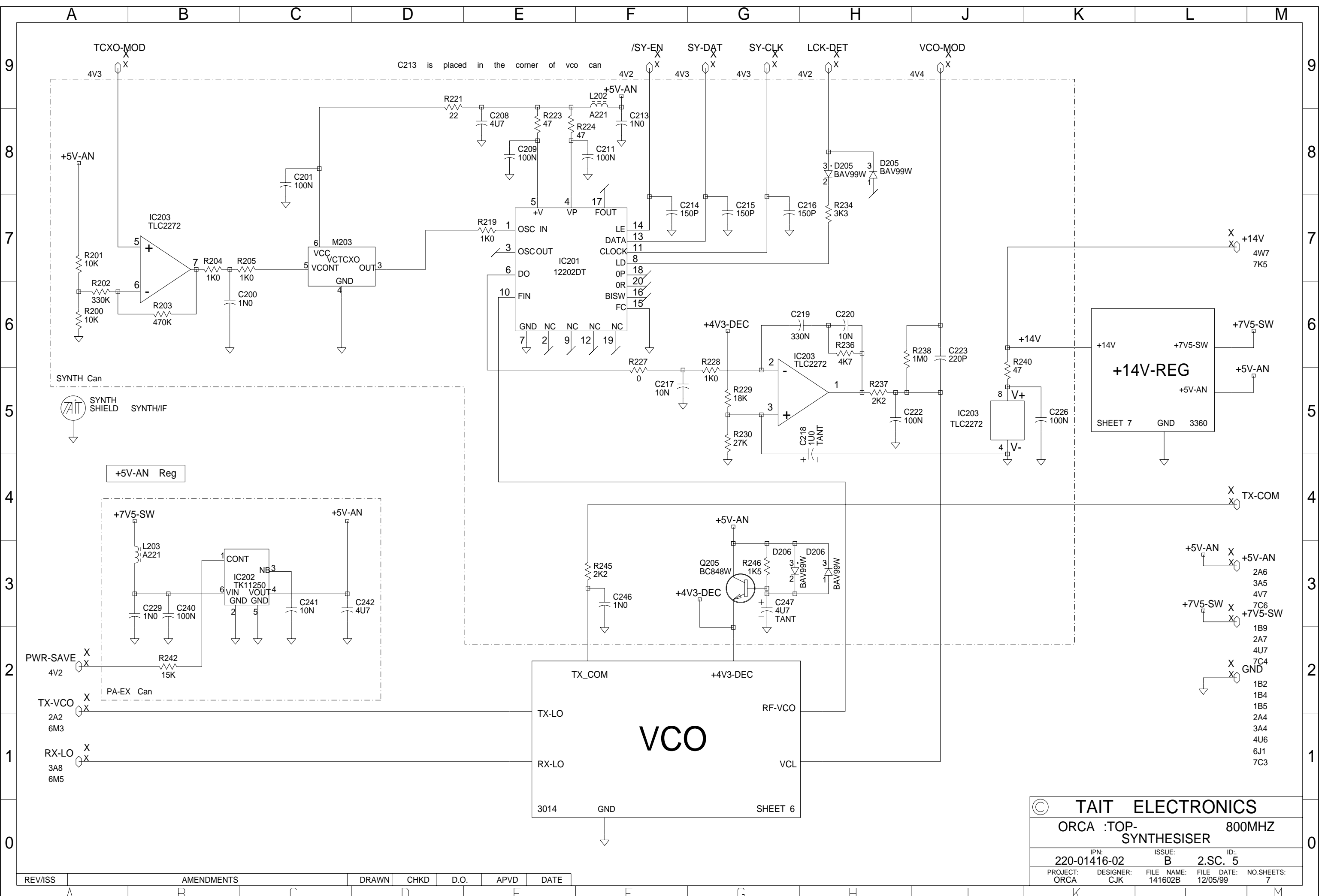


Variant Table

Part	NB	MB	WB
XF303	G		D
XF304	G		D
R349	-T	10k	10k
R355	47K		22k
R390	330k		68k
C370	27p		22P
C369	470p		330P

© TAIT ELECTRONICS
 ORCA :TOP- RECEIVER 800MHZ
 IPN: 220-01416-02 ISSUE: B ID: 2.S.C. 3
 PROJECT: ORCA DESIGNER: CJK FILE NAME: 141602B FILE DATE: 12/05/99 NO.SHEETS: 7

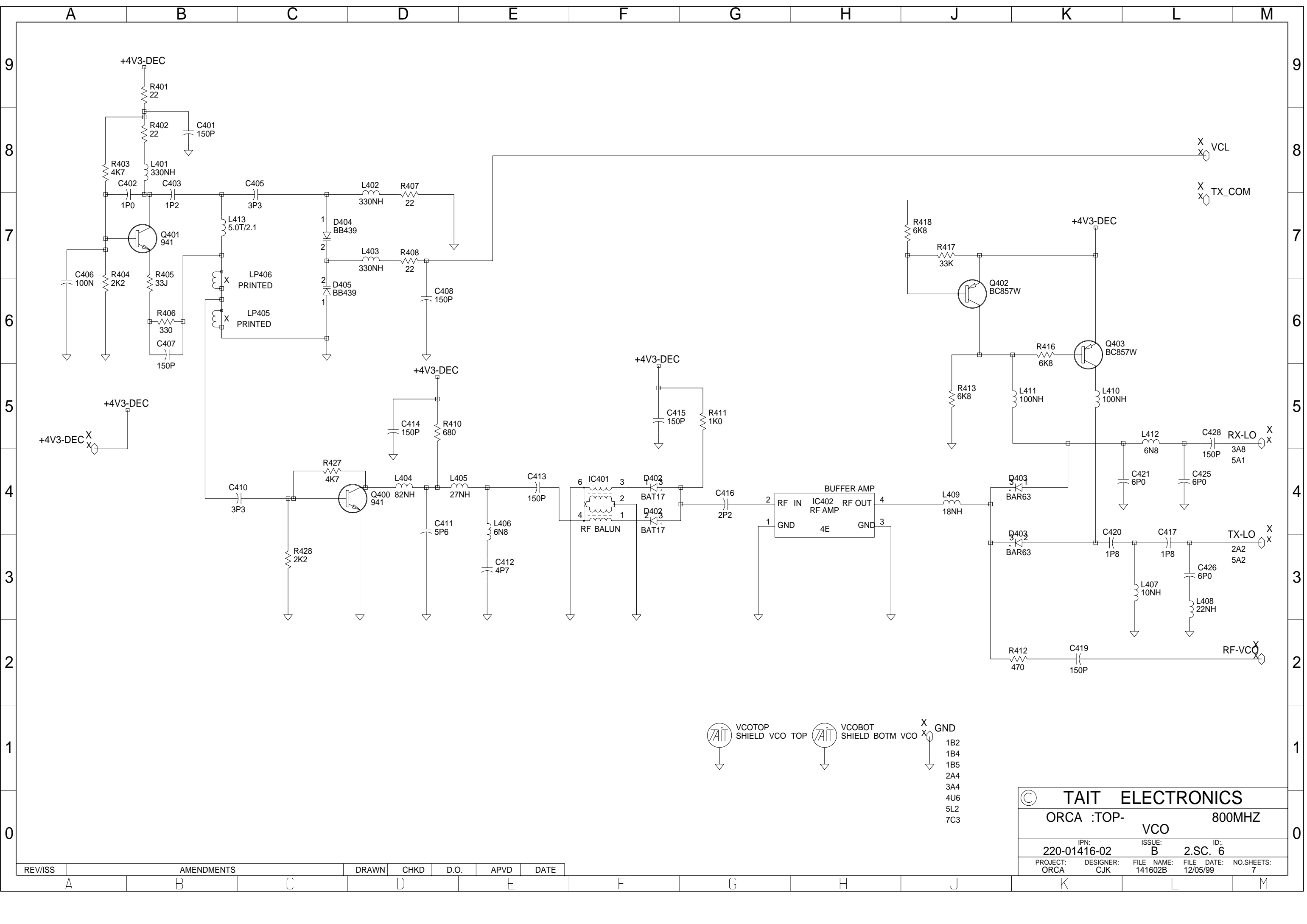
REV/ISS	AMENDMENTS	DRAWN	CHKD	D.O.	APVD	DATE



© TAIT ELECTRONICS
 ORCA :TOP- 800MHZ
 SYNTHESISER
 IPN: 220-01416-02 ISSUE: B ID: 2.SC. 5
 PROJECT: ORCA DESIGNER: CJK FILE NAME: 141602B FILE DATE: 12/05/99 NO.SHEETS: 7

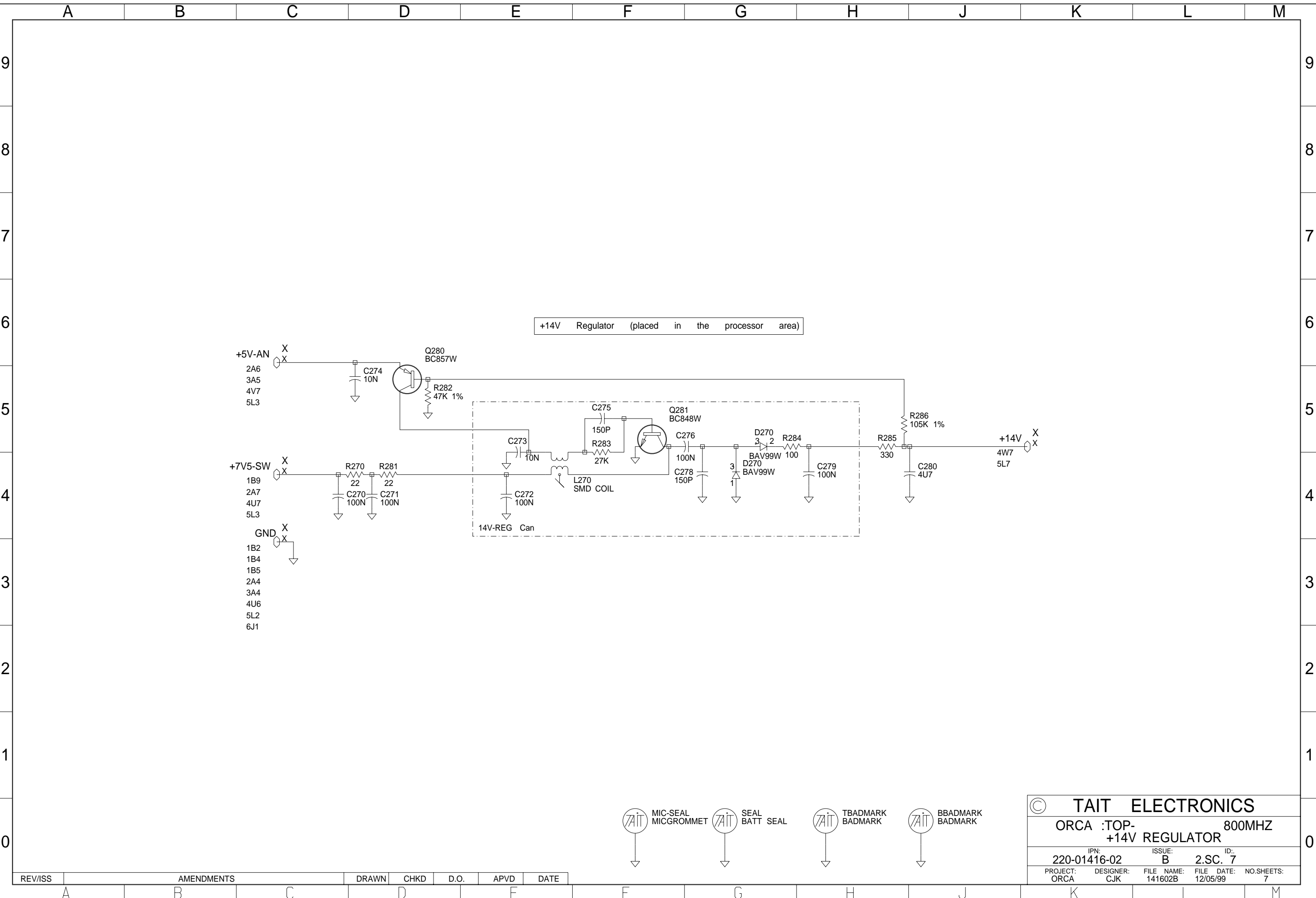
REV/ISS	AMENDMENTS	DRAWN	CHKD	D.O.	APVD	DATE

- X 2A6 +5V-AN
- X 3A5 +5V-AN
- X 4V7 +5V-AN
- X 7C6 +7V5-SW
- X 1B9 +7V5-SW
- X 2A7 +7V5-SW
- X 4U7 +7V5-SW
- X 7C4 +7V5-SW
- X 1B2 GND
- X 1B4 GND
- X 1B5 GND
- X 2A4 GND
- X 3A4 GND
- X 4U6 GND
- X 6J1 GND
- X 7C3 GND



© TAIT ELECTRONICS			
ORCA :TOP-		800MHZ	
VCO			
IPN:	ISSUE:	ID.:	
220-01416-02	B	2.SC. 6	
PROJECT:	DESIGNER:	FILE NAME:	FILE DATE:
ORCA	CJK	141602B	12/05/99
		NO.SHEETS:	7

REV/ISS	AMENDMENTS	DRAWN	CHKD	D.O.	APVD	DATE



+14V Regulator (placed in the processor area)

- +5V-AN X
 - 2A6
 - 3A5
 - 4V7
 - 5L3
-
- +7V5-SW X
 - 1B9
 - 2A7
 - 4U7
 - 5L3
-
- GND X
 - 1B2
 - 1B4
 - 1B5
 - 2A4
 - 3A4
 - 4U6
 - 5L2
 - 6J1

© TAIT ELECTRONICS				
ORCA :TOP-		800MHZ		
+14V REGULATOR				
IPN:	ISSUE:	ID:		
220-01416-02	B	2.SC. 7		
PROJECT:	DESIGNER:	FILE NAME:	FILE DATE:	NO.SHEETS:
ORCA	CJK	141602B	12/05/99	7

- MIC-SEAL
MICGROMMET
- SEAL
BATT SEAL
- TBADMARK
BADMARK
- BBADMARK
BADMARK

REV/ISS	AMENDMENTS	DRAWN	CHKD	D.O.	APVD	DATE